

# V7309 Trench Grate



## Product Number

47309030

## Design Features

- Materials  
Gray Iron (CL35B)
- Load Rating  
Heavy Duty
- Open Area  
362 Sq. In.
- Coating  
Undipped
- √ Designates Machined Surface

## Certification

- ASTM A48
- 
- 
- Country of Origin: USA

## Drawing Revision

12/12/2006 Designer: DEW  
12/17/2019 Revised By: MAH

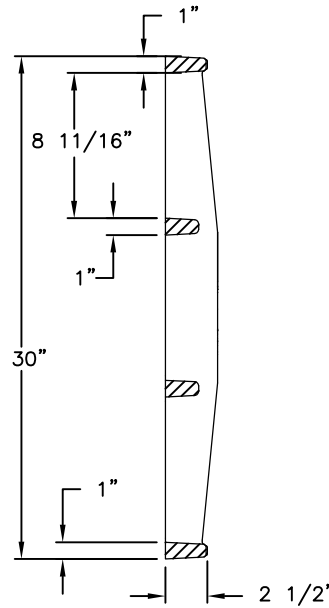
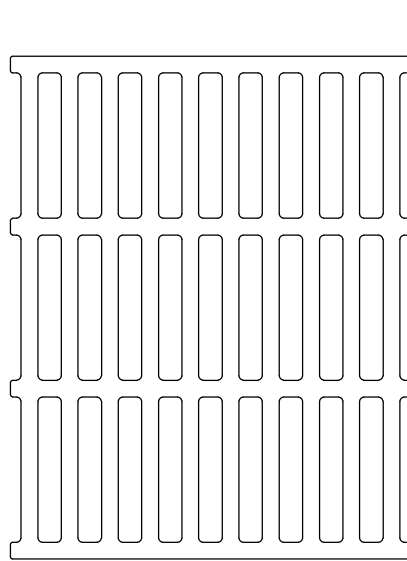
## Disclaimer

Weights (lbs./kg) dimensions (inches/mm) and drawings provided for your guidance. We reserve the right to modify specifications without prior notice.

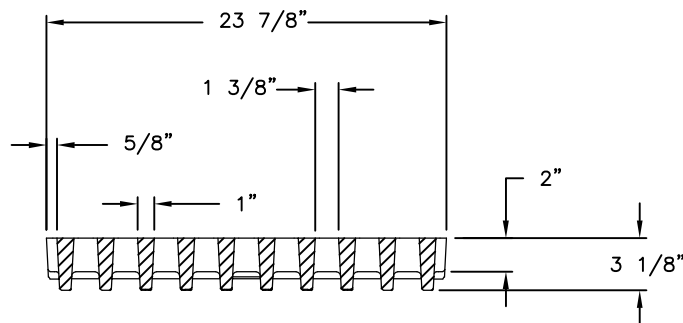
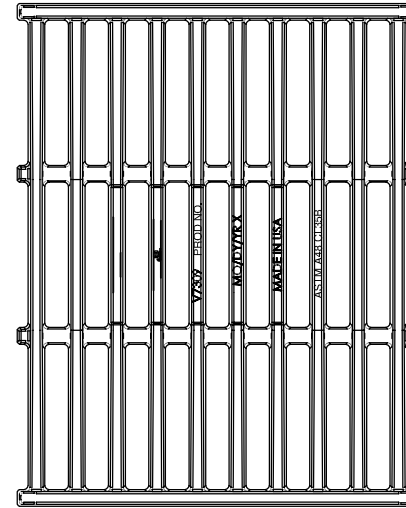
CONFIDENTIAL: This drawing is the property of EJ GROUP, Inc., and embodies confidential information, registered marks, patents, trade secret information, and/or know how that is the property of EJ GROUP, Inc. Copyright © 2011 EJ GROUP, Inc. All rights reserved.

## Contact

800 626 4653  
ejco.com



GRATE SECTION



GRATE SECTION

Supplied By:  
**TRENCH DRAIN SUPPLY**  
 877-903-7246  
[www.trenchdrainsupply.com](http://www.trenchdrainsupply.com)